

OPEN FRAME PANEL PC



I/O View



Features

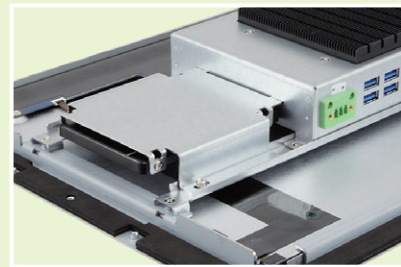
- Flat bezel open frame design with optional colored frame



- Flat bezel open frame design



- Easy accessible storage space



- Modular design, upgradeable



Vertical Applications
Panel PC

INOFP: Stainless Steel
Panel PC

ASTUT: All-in-one Panel PC
with Riser Card Expansion

BYTEM: Compact Panel PC

IPPC: Heavy-duty
Industrial Panel PC

OFP FRAME PC

BYARM/MRS:
ARM-Based Panel PC

OFP-151-PC / OFP-2100-PC / OFP-2101-PC

Specifications

Model No.		OFP-151-PC	OFP-2100-PC (Q3/2018)	OFP-2101-PC (Q3/2018)
Display & Touch Screen	Display Size	15	21	21
	Max. Resolution	1024x768	1920x 1080	1920x 1080
	Luminance (cd/m2)	420	250	250
	Contrast	1:600	1:1000	1:1000
	Max. Color	16.2M	16.7M	16.7M
	View Angle (H/V)	160/160	178/178	178/178
	Backlight Lifetime(hrs)	30000	30000	30000
	Touch Type	Projected capacitive		
	Touch Interface	USB		
	Light Transmission (%)	89		
	Point of touch	10		
I/O Interface	USB 3.0	4		
	USB 2.0	0		
	RS-232/422/485 Selectable in BIOS	1 (RJ45 type)	1 (RJ45 type)	1 (DSUB9)
	RS-232	option		
	LAN	2 x GbE		
	Additional Graphics	1 x HDMI 1 x DP		
	Audio	None		
	Digital I/O	Option		
	Power Connector	1 x 3-pin terminal block		
	Power Button	1 x 2-pin terminal block for remote		
Mechanical	Dimensions (mm)	375.2 x 289.6 x 60.9	TBD	TBD
	Net Weight (kgs)	5	TBD	TBD
System	Processor	Intel® Pentium® QC N4200	Intel® Pentium® QC N4200	Intel® Core i7 7600U Intel® Core i5 7300U Intel® Core i3 7100U
	Memory	Max. 8GB DDR4, default 4GB	Max. 8GB DDR4, default 4GB	Max. 32GB DDR4, default 4GB
	Thermal Design	Fanless		
	Membrane Control	None		
	Built-in Speaker/MIC	None		
Expansion	Internal Expansion Bus	1 x mini PCI-E for half-size mSATA 1 x M.2 B-key	1 x mini PCI-E for half size mSATA 1 x M.2 B-key	1 x mini PCI-E for full-size mSATA
	Expansion Slot	None		
	Wireless	Optional		
Storage Space	HDD	1 x 2.5" HDD space, default 64GB SSD		
	Removable	None		
Power	Power Input Range	9V~36V DC	9V~36V DC	9V~24V DC
Construction	Chassis Material	SGCC		
	Color (Front/Back)	Raw SGCC		
	IP Rating	Front side with IP65		
	Mounting	Open frame design		
Environmental	Operating Temperature	-10°C~50°C	0°C~50°C	0°C~50°C
	Storage Temperature	-20°C~70°C		
	Storage Humidity	10%~90% @40°C (non-condensing)		
	Certification	CE / FCC class B		
	Supported Operating Systems	Windows 10, 64-bit, Linux Kernel 4+		

Vertical Applications Panel PC

INOSP: Stainless Steel Panel PC

ASTUT: All-in-one Panel PC with Riser Card Expansion

BYTEM: Compact Panel PC

IPPC: Heavy-duty Industrial Panel PC

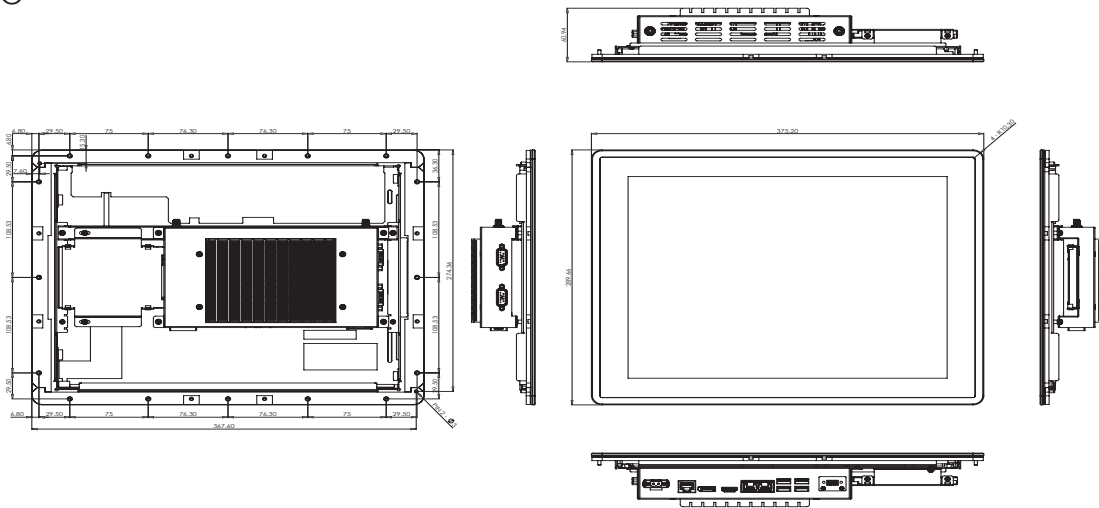
OFP FRAME PC

BYARM/MRS: ARM-Based Panel PC

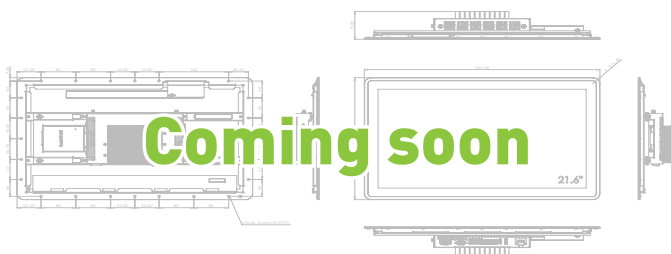
OFP-151-PC / OFP-2100-PC / OFP-2101-PC

Dimensions

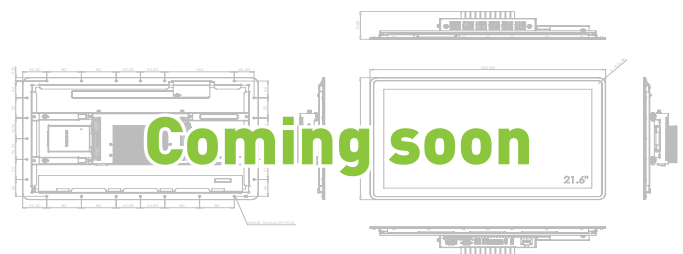
OFP-151-PC



OFP-2100-PC



OFP-2101-PC



Ordering Information

OFP-151-PC-N42	15" open frame panel PC, projected capacitive touch screen, Intel® Pentium® QC N4200 processor, 4GB DDR4 memory, 64GB SSD, without power adaptor.
OFP-2100-PC-N42	21.5" full HD open frame panel PC, projected capacitive touch screen, Intel® Pentium® QC N4200 processor, 4GB DDR4 memory, 64GB SSD, without power adaptor
OFP-2101-PC-I76	21.5" full HD open frame panel PC, projected capacitive touch screen, 7th Gen Intel® Core™ i7 7600U processor, 4GB DDR4 memory, 64GB SSD, without power adaptor
OFP-2101-PC-I73	21.5" full HD open frame panel PC, projected capacitive touch screen, 7th Gen Intel® Core™ i5 7300U processor, 4GB DDR4 memory, 64GB SSD, without power adaptor
OFP-2101-PC-I71	21.5" full HD open frame panel PC, projected capacitive touch screen, 7th Gen Intel® Core™ i3 7100U processor, 4GB DDR4 memory, 64GB SSD, without power adaptor