



Features

- Fanless system with IBASE IB909 3.5" Disk-Size SBC
- Onboard 5th Gen. Intel® Core™ i7 U-series processor
- iSMART- for auto-scheduler and power resume
- Supports 1x Mini PCI-E (full-size)
- Supports 1x 2.5" SATA HDD
- 12V~24V DC wide-range power input
- Wall mount kit included

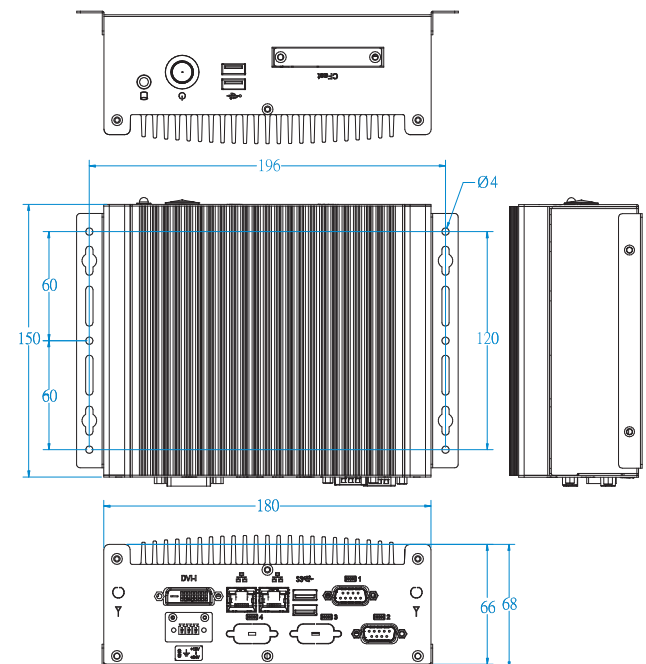
Specifications

System Mainboard	IB909AF-5650 / IB909AF-5350
CPU Type	5th Gen Intel® Core™ i7 5650U / i5 5350U processor
System Speed	2.2GHz / 1.8GHz
Memory	2x 2GB DDR3L-1600 SO-DIMM memory, Max.16GB
Construction	Aluminum & steel
Chassis Color	Black
Front Panel External I/O	1x power button 2x USB 2.0 1x CFast socket 1x HDD LED
Rear Panel External I/O	4x COM (1x RS-232/422/485 + 3x RS-232) 2x USB 3.0 ports 1x DVI-I 2x RJ-45 GbE connector 1x 12V~24V DC-in (terminal block type)
Storage	1x 2.5" HDD or SSD
Mounting	Desktop or wall mount (wall mount kit included) VESA mount (option)
Dimensions	180mm(W) x 150mm(D) x 66mm(H) 7.09" (W) x 5.91" (D) x 2.6" (H)
Weight	1.8kg
Operating Temperature	0°C~45°C (32°F~113°F) (With HDD) -10°C~60°C (14°F~140°F) (With SSD)
Storage Temperature	-20°C ~ 80°C (-4°F~176°F)
Relative Humidity	5~90% @ 45°C, (non-condensing)
Vibration	Operating: 0.25Grms / 5~500Hz Non-operating: 1Grms / 5~500Hz
Shock	Operating: 20G / 11ms Non-operating: 40G / 11ms
Certification	CE / LVD / FCC Class B / CCC

Ordering Information

ASB200-909-5650	Fanless chassis with IB909AF-5650, Intel® i7-5650U 2.2GHz CPU, 2x COM, 2x 2GB DDR3L memory, 2.5" 320GB SATA HDD (w/o 60W power adaptor and VESA mount bracket)
ASB200-909-4COM	Fanless chassis with IB909AF5350, Intel® i5-5350U 1.8GHz CPU, 4x COM (IBD-182 COM Mini PCI-E card), 2x 2GB DDR3L memory, 2.5" 320GB SATA HDD (w/o 60W power adaptor and VESA mount bracket)
ASB200-909	Fanless chassis with IB909AF5350, Intel® i5-5350U 1.8GHz CPU, 2x COM, 2x 2GB DDR3L memory, 2.5" 320GB SATA HDD (w/o 60W power adaptor and VESA mount bracket)
60W power adaptor (Optional)	60W (12V@5A) power adaptor (bare wire type)

Dimensions and Drawing



1 Embedded Systems

2 CPU Modules

3 Disk-Size SBCs

4 Motherboards

5 CPU Cards